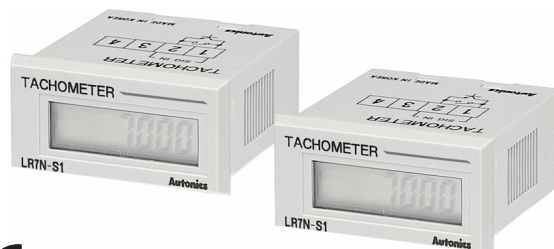


LCD Miniature Tachometer

DIN size W48 × H24mm, LCD Tachometer, Indication type only

■ Features

- Ultra small size. (DIN Size W48 × H24mm)
- No-voltage type with built-in battery
- Screw terminal type
- Display by LCD
- Micro computer built in

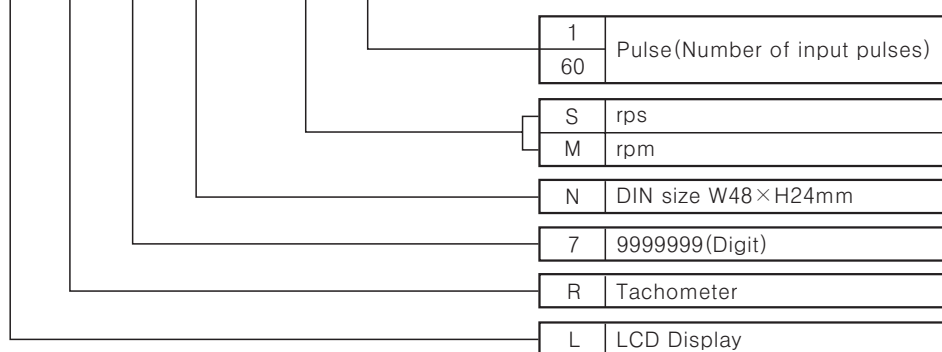


⚠ Please read "Caution for your safety" in operation manual before using.



■ Ordering information

L R 7 N - S 1



■ Specifications

Display method	LCD Zero Blanking type (Character size : W3mm × H7mm)	
Item	LR7N-S1	LR7N-M60
Model	No voltage input	No voltage input
Power supply	3VDC (Battery built-in)	
Max. revolution display	1~7000rps	1~7000rpm
Application specification	1 Pulse / 1 Revolution	60 Pulse / 1 Revolution
Input frequency	7kHz	
Count input	<ul style="list-style-type: none"> • No-voltage input Impedance at short-circuit : Max. 10kΩ (ON) Impedance at open : Min. 500kΩ (OFF) 	
Insulation resistance	Min. 100MΩ (at 500VDC)	
Dielectric strength	1000VAC 50/60Hz for 1 minute	
Vibration	Mechanical	0.75mm amplitude at frequency of 10 ~ 55Hz in each of X, Y, Z directions for 1 hour
	Malfunction	0.3mm amplitude at frequency of 10 ~ 55Hz in each of X, Y, Z directions for 10 minutes
Shock	Mechanical	300m/s ² (30G) 3 times at X, Y, Z direction
	Malfunction	100m/s ² (10G) 3 times at X, Y, Z direction
Ambient temperature	-10~ 55°C (at non-freezing status)	
Storage temperature	-25~ 65°C (at non-freezing status)	
Ambient humidity	35 ~ 85%RH	
Battery life cycle	Approx. 7 years at 25°C	
Weight	Approx. 55g	

(A) Counter

(B) Timer

(C) Temp. controller

(D) Power controller

(E) Panel meter

(F) Tacho/Speed/Pulse meter

(G) Display unit

(H) Sensor controller

(I) Proximity sensor

(J) Photo electric sensor

(K) Pressure sensor

(L) Rotary encoder

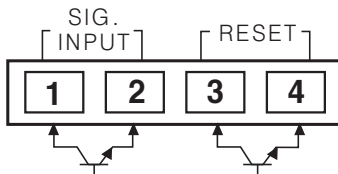
(M) 5-Phase stepping motor & Driver & Controller

LR7N Series

Items

Input type	Model	Max. revolution display	Application input specification	Power supply
No-voltage input	LR7N-S1	7000rps	1Pulse/1 revolution	None (Battery built-in)
	LR7N-M60	7000rpm	60Pulse/1 revolution	

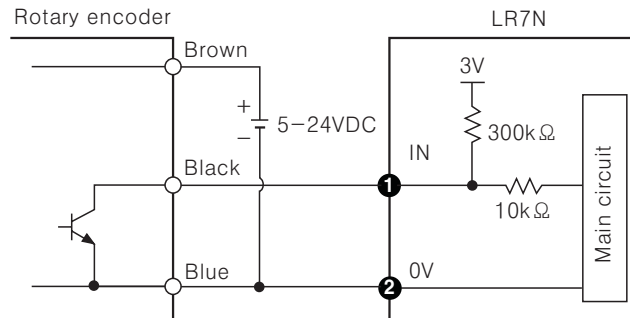
Connections



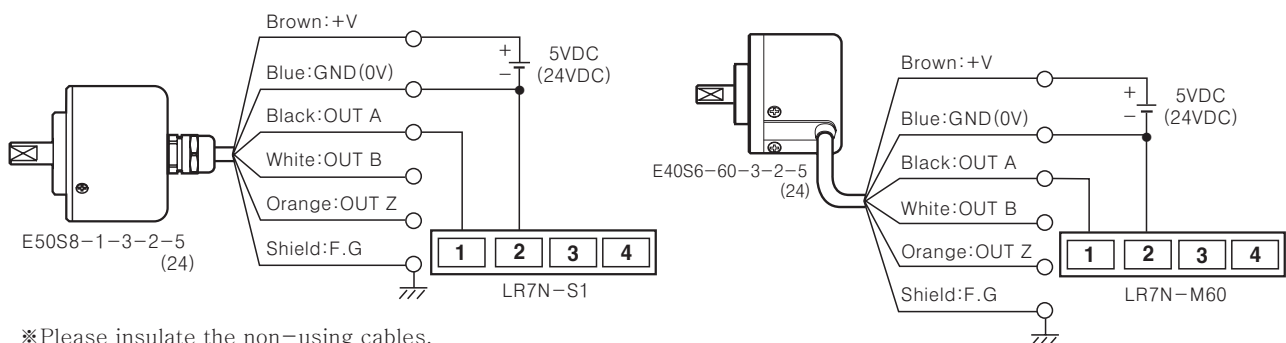
※Please use reliable contacts enough to flow 10 μ A current when using contact as a input signal or reset signal.

Input connection

- Standard input sensor : NPN open collector output type encoder



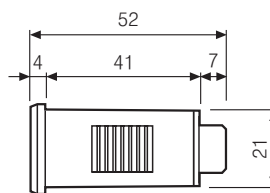
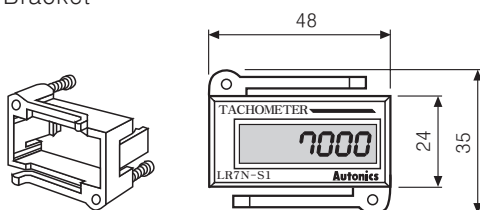
The application of connections



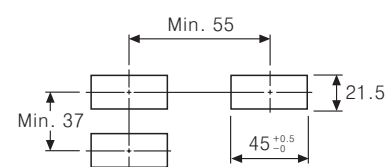
※Please insulate the non-using cables.

Dimensions

- Bracket



- Panel cut-out



Unit:mm