



AVG Series Large ϕ 135mm Rotating Signal Light

Features (특징)

- ϕ 135mm lens diameter for easy viewing at long distance
- Large rotating mirror
- Available with or without internal buzzer
- Various operating voltages available
- Choice of red, yellow, green or blue lens
- Stud mounting
- Ideal for large machines, construction sites, parking systems, etc.

- ϕ 135mm 투광렌즈 적용
- 반사회전 타입, 부저 타입
- 편리한 취부고정구
- 4가지 색상의 투광렌즈
- 다양한 전압 사양
- 장시간 수명의 전구



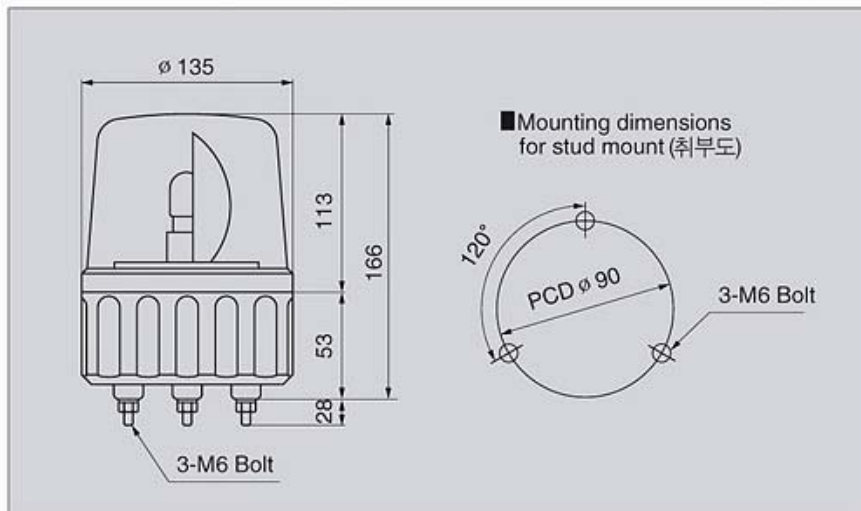
Ordering information (표준주문사양)

	AVG	B	110	R
	①	②	③	④
①	AVG	ϕ 135mm Signal Light		
②		Rotating mirror		
	B	Rotating mirror +buzzer		
③	01	12 VDC		
	02	24 VDC		
	10	110 VAC		
	20	220 VAC		
④	R	Red lens		
	G	Green lens		
	Y	Yellow lens		
	B	Blue lens		

Specifications (전기적사양)

Series	AVG	AVGB
Power supply	12V DC, 24V DC, 110V AC, 220V AC	
Lens type	Smooth type	
Lens color	Red, Green, Yellow, Blue	
Rotation rate	150 / min	
Internal buzzer	Not available	Available
Sound level	80 dB	
Current consumption	12VDC : 2.08A, 24VDC : 1.04A, 110VAC : 0.22A, 220VAC : 0.11A	
Bulb type	Incandescent (전구형)	
Bulb voltage and wattage	12VDC : 12V 25W, 24VDC : 24V 25W, 110VAC : 110V 25W, 220VAC : 220V 25W	
Termination	Wire leads	

Dimensions (외형치수도)



(UNIT: mm) Connections (결선도)

