

M4Y/M4W/M5W/M4M Series

■ Features

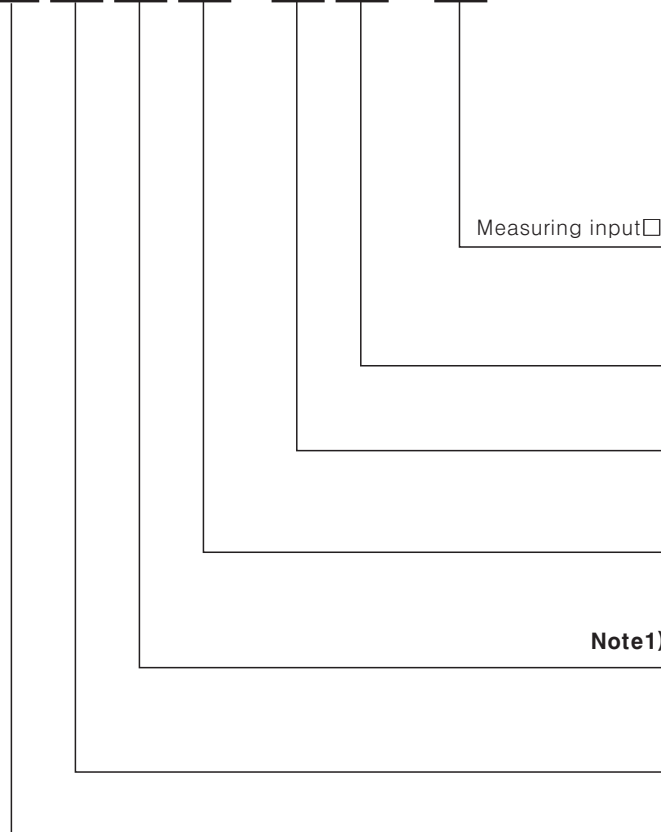
- Max. display: 19999 (M5W), 1999 (Others)
- AUTO ZERO function or HOLD function (Except M5W)
- RMS/AVG value selection function (AC Voltage)
- 7Segment LED Display
- Case size by DIN specification
- Indication type only, Single preset output type, Double preset output type



! Please read "Caution for your safety" in operation manual before using.

■ Ordering information

M **4** **W** - **T** - **1**



NO	M4Y / M4W / M4M	M5W
	INPUT (F.S)	
1	DC0-10V / 1999	DC0-10V / 1999.9
2	AC0-10V / 1999	AC0-10V / 1999.9
DX	DC Input Option	DC Input Option
AX	AC Input Option	AC Input Option
	AVG value	
R	RMS value	
T	Tachometer (rpm)	
S	Line Speed Meter (m/min)	
	Indication type	
1P	Single setting output	
2P	Double setting output	
	Note1)	
Y	DIN Size W72×H36mm	
W	DIN Size W96×H48mm	
M	DIN Size W72×H72mm	
4	3½digit	
5	4½digit	
M	Meter	

Note1) M4Y, M5W are an indication type.

※AC measuring type of M5W only applies to RMS and it is not marked with "R" in the model name.

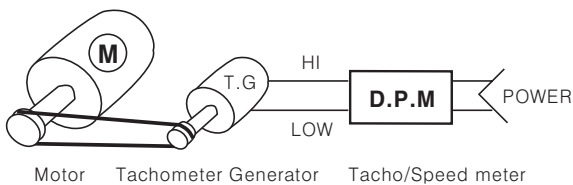
Tacho / Speed Meter

Specifications

Model	M4Y-T <input type="checkbox"/> - <input type="checkbox"/> M4Y-S <input type="checkbox"/> - <input type="checkbox"/> M5W-T <input type="checkbox"/> M5W-S <input type="checkbox"/>	M4W-T <input type="checkbox"/> - <input type="checkbox"/> M4W-S <input type="checkbox"/> - <input type="checkbox"/> M4M-T <input type="checkbox"/> - <input type="checkbox"/> M4M-S <input type="checkbox"/> - <input type="checkbox"/>	M4W1P-T <input type="checkbox"/> - <input type="checkbox"/> M4W1P-S <input type="checkbox"/> - <input type="checkbox"/> M4M1P-T <input type="checkbox"/> - <input type="checkbox"/> M4M1P-S <input type="checkbox"/> - <input type="checkbox"/>	M4W2P-T <input type="checkbox"/> - <input type="checkbox"/> M4W2P-S <input type="checkbox"/> - <input type="checkbox"/> M4M2P-T <input type="checkbox"/> - <input type="checkbox"/> M4M2P-S <input type="checkbox"/> - <input type="checkbox"/>
Measurement function	rpm, speed			
Measurement input	0-10VDC, 0-10VAC (Tacho generator output)			
Max. allowable input	150% for each input specification (At AC400V:120%)			
Power supply	★5VDC (Except M5W) ★24-70VDC 100-240VAC 50/60Hz	★24-70VDC ★100-240VAC 50/60Hz 110/220VAC 50/60Hz		
Allowable voltage range	90 ~ 110% of rated voltage			
Power consumption	DC : 2W, AC : 4VA (M5W:5VA)		DC : 2W, AC : 5VA	
Display method	7Segment LED Display			
Character height	14.1mm		M4W:10.16mm, M4M:10mm	
Display accuracy	DC : F · S ±0.2% rdg ±1digit AC : F · S ±0.5% rdg ±1digit			
Sampling cycle	300ms			
A/D conversion method	Dual slope integral method			
Response time	2sec. (0 ~ Max.)			
Setting time	2.5 times/sec			
Contact capacity	—————		Relay output : 250VAC 3A 1c	Relay output : 250VAC 3A 1c × 2
Insulation resistance	Min. 100MΩ (at 500VDC)			
Dielectric strength	2000VAC 50/60Hz for 1 minute			
Noise strength	±1kV the square wave noise (pulse width:1μs) by the noise simulator			
Vibration	Mechanical	0.75mm amplitude at frequency of 10 ~ 55Hz in each of X, Y, Z directions for 1 hour		
	Malfunction	0.5mm amplitude at frequency of 10 ~ 55Hz in each of X, Y, Z directions for 10 minutes		
Shock	Mechanical	300m/s ² (30G) in X, Y, Z directions for 3 times		
	Malfunction	100m/s ² (10G) in X, Y, Z directions for 3 times		
Relay life cycle	Mechanical	—————		
	Malfunction	—————		
Ambient temperature	-10 ~ +50°C (at non-freezing status)			
Storage temperature	-20 ~ +60°C (at non-freezing status)			
Ambient humidity	35~85%RH			
Weight	M4Y:Approx. 170g M5W:Approx. 317g	M4W:Approx. 317g M4M:Approx. 401g	M4W-1P:Approx. 408g M4M-1P:Approx. 467g	M4W-2P:Approx. 424g M4M-2P:Approx. 496g

※ "★" (Power supply) is optional.

The application of connection



●Tachometer Generator (T.G)

This generator makes a voltage in proportion to revolution speed of motor. The D.P.M receives the voltage and displays the number of revolution.

Output has AC and DC type. Therefore, before you order the item please check the T.G specification again.

●The specification of measuring input, which is indicated in model ordering, is when output specification is 0-10VDC and 0-10ADC.

Different output specification of tacho-generator is available with your order.

(A)
Counter

(B)
Timer

(C)
Temp.
controller

(D)
Power
controller

(E)
Panel
meter

(F)
Tacho/
Speed/
Pulse
meter

(G)
Display
unit

(H)
Sensor
controller

(I)
Proximity
sensor

(J)
Photo
electric
sensor

(K)
Pressure
sensor

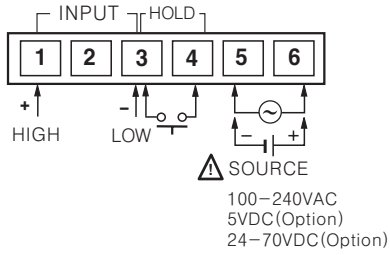
(L)
Rotary
encoder

(M)
5-Phase
stepping
motor &
Driver &
Controller

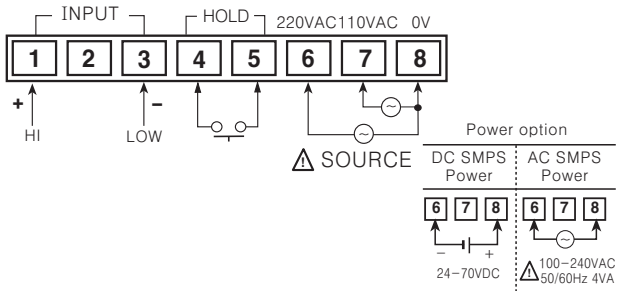
M4Y/M4W/M5W/M4M Series

Connections

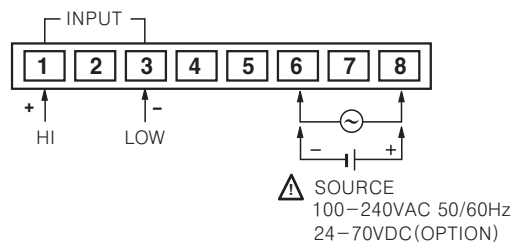
●M4Y



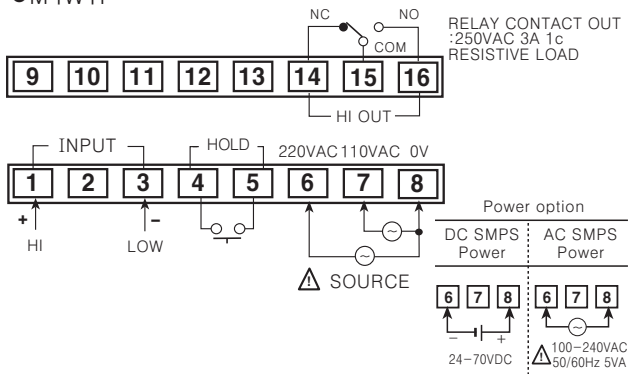
●M4W



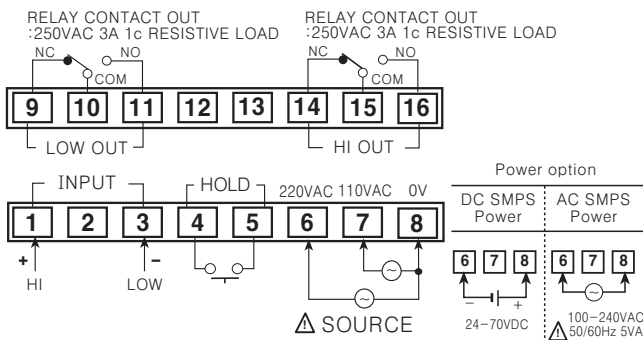
●M5W



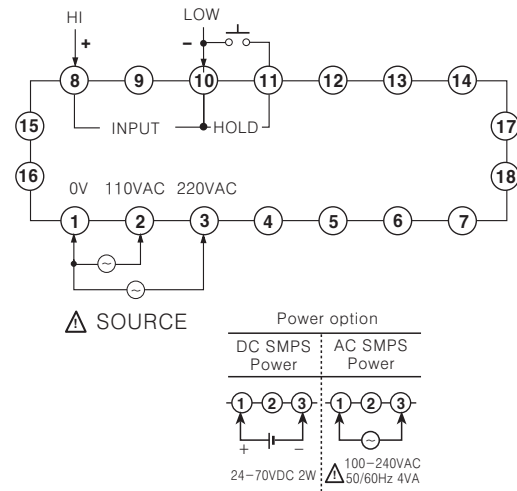
●M4W1P



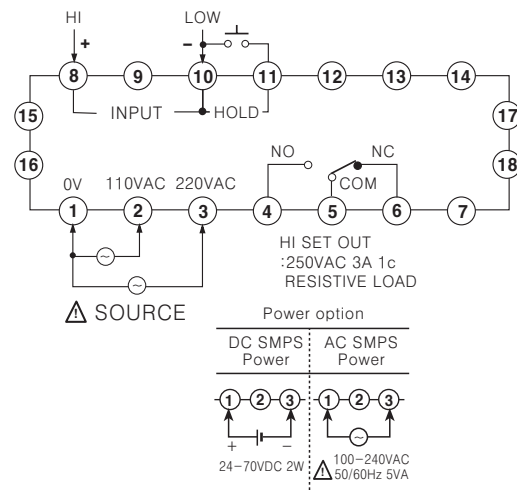
●M4W2P



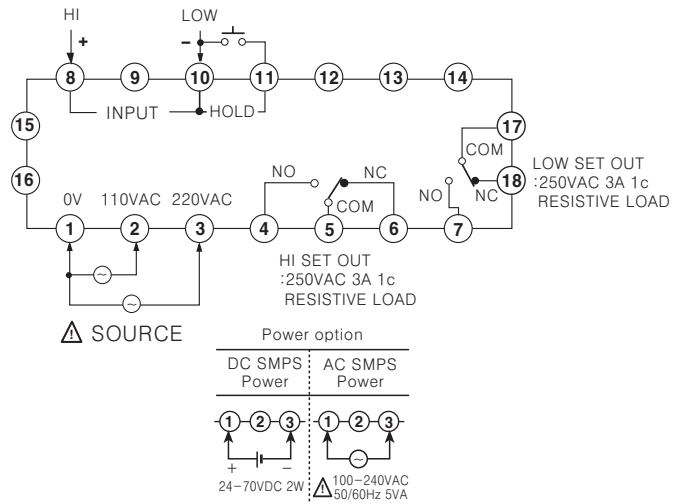
●M4M



●M4M1P



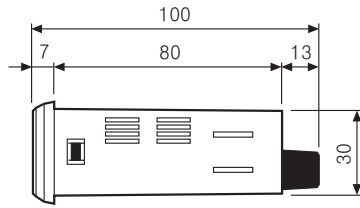
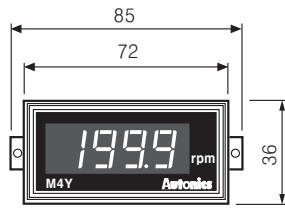
●M4M2P



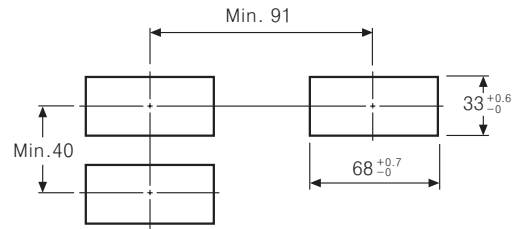
Tacho / Speed Meter

Dimensions

●M4Y



●Panel cut-out



Unit:mm

(A)
Counter

(B)
Timer

(C)
Temp.
controller

(D)
Power
controller

(E)
Panel
meter

(F)
Tacho/
Speed/
Pulse
meter

(G)
Display
unit

(H)
Sensor
controller

(I)
Proximity
sensor

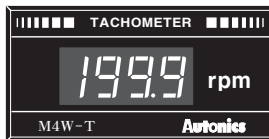
(J)
Photo
electric
sensor

(K)
Pressure
sensor

(L)
Rotary
encoder

(M)
5-Phase
stepping
motor &
Driver &
Controller

●M4W



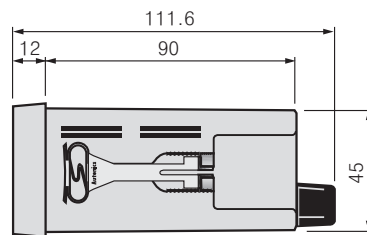
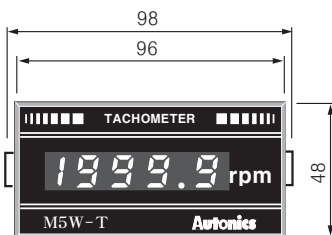
●M4W1P



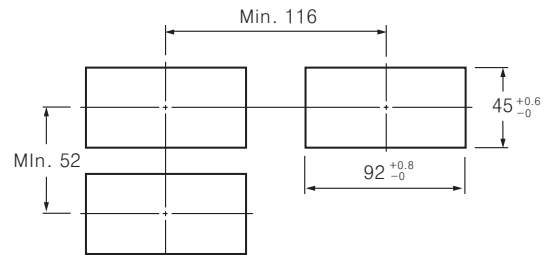
●M4W2P



●M5W

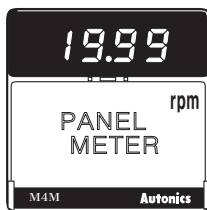


●Panel cut-out

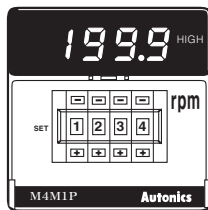


Unit:mm

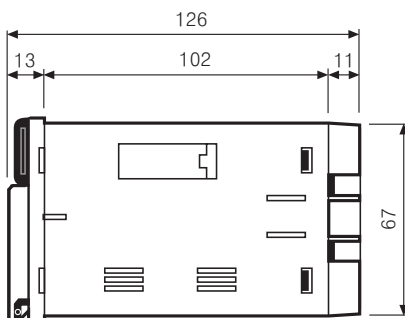
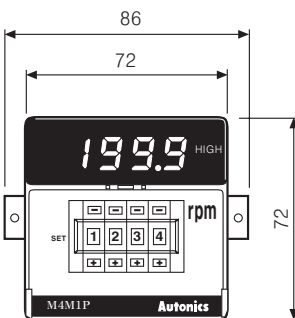
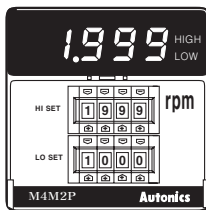
●M4M



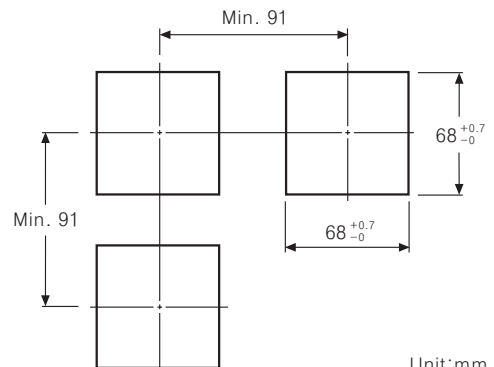
●M4M1P



●M4M2P



●Panel cut-out



Unit:mm