

M4Y/M4W/M5W/M4M Series

Features

- Max. display : 19999 (M5W), 1999 (Others)
- 7Segment LED Display
- Case size by DIN specification
- Linear display function by INPUT specification,
Input : 4–20mADC, Display : 4mA→0, 20mA→600
- Indication type only, Single preset output type,
Double preset output type

! Please read "Caution for your safety" in operation manual before using.



Ordering information

M 4 W - **D I** - **X**

Measuring input□	Note1)	X	Display range (Option)
		I	4–20mADC (1–5VDC : Option)
		D	DC type
			Indication type
		1P	Single setting
		2P	Double setting
	Note2)	Y	DIN Size W72×H36mm
		W	DIN Size W96×H48mm
		M	DIN Size W72×H72mm
		4	3½digit
		5	4½digit
		M	Meter

(※1) 1–5VDC of measuring input specification is available by option.

(※2) M4Y, M5W are an indication type.

Specifications

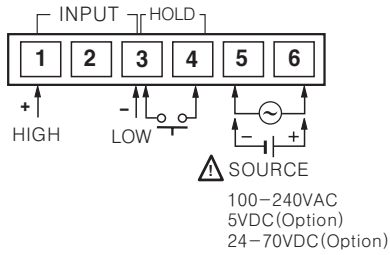
Model	M4Y-DI M5W-DI	M4W-DI M4M-DI	M4W1P-DI M4M1P-DI	M4W2P-DI M4M2P-DI
Measurement function	4–20mADC or 1–5VDC			
Max. allowable input	150% for each input specification			
Power supply	★5VDC (Except M5W) ★24–70VDC 100–240VAC 50/60Hz	★24–70VDC ★100–240VAC 50/60Hz 110/220VAC 50/60Hz		
Allowable voltage range	90 ~ 110% of rated voltage			
Power consumption	DC : 2W, AC : 4VA		DC : 2W, AC : 5VA	
Display method	7Segment LED Display			
Character height	14.1mm	M4W : 14mm, M4W1P/20 : 10.16mm, M4M : 10mm		
Display accuracy	F · S ±0.2% rdg ±1digit			
Sampling cycle	300ms			
A/D conversion method	Dual slope integral method			
Response time	2sec. (0 ~ Max.)			
Setting time	2.5 times/sec			
Contact capacity	—————		Relay output : 250VAC 3A 1c	Relay output : 250VAC 3A 1c×2
Insulation resistance	Min. 100MΩ (at 500VDC)			
Dielectric strength	2000VAC 50/60Hz for 1 minute			
Noise strength	±1kV the square wave noise (pulse width:1μs) by the noise simulator			
Vibration	Mechanical	0.75mm amplitude at frequency of 10 ~ 55Hz in each of X, Y, Z directions for 1 hour		
	Malfunction	0.5mm amplitude at frequency of 10 ~ 55Hz in each of X, Y, Z directions for 10 minutes		
Shock	Mechanical	300m/s ² (30G) in X, Y, Z directions for 3 times		
	Malfunction	100m/s ² (10G) in X, Y, Z directions for 3 times		
Relay life cycle	Mechanical	Min. 10,000,000		
	Malfunction	Min. 100,000 (250VAC 3A resistive load)		
Ambient temperature	————— -10 ~ +50°C (at non-freezing status)			
Storage temperature	————— -25 ~ +65°C (at non-freezing status)			
Ambient humidity	————— 35~85%RH			
Weight	M4Y:Approx. 170g M5W:Approx. 317g	M4W:Approx. 317g M4M:Approx. 401g	M4W-1P:Approx. 408g M4M-1P:Approx. 467g	M4W-2P:Approx. 424g M4M-2P:Approx. 496g

※ "★" (Power supply) is optional.

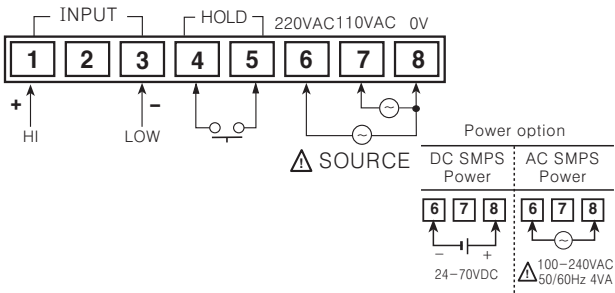
Digital Scaling Meter

Connections

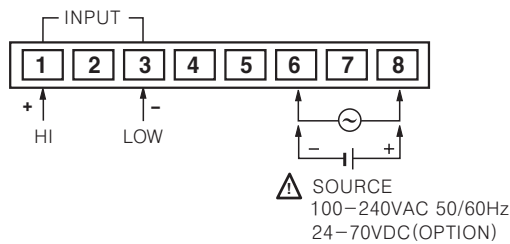
●M4Y



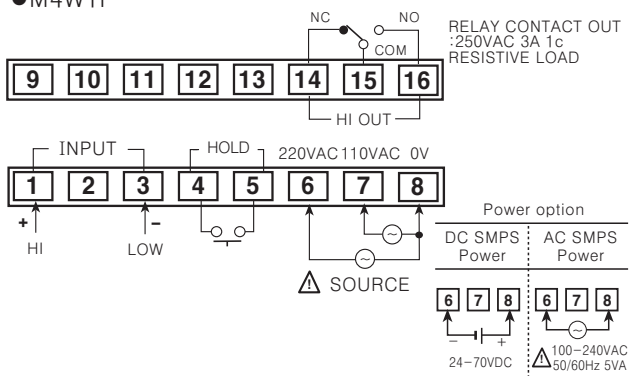
●M4W



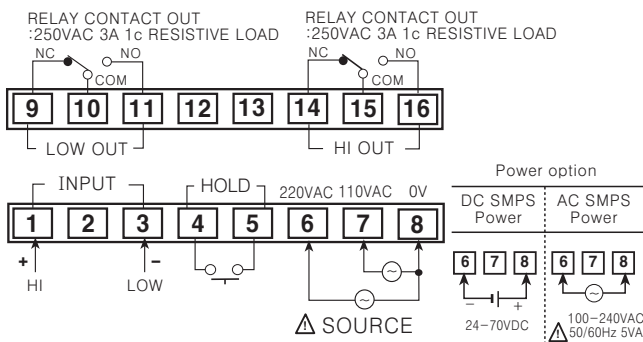
●M5W



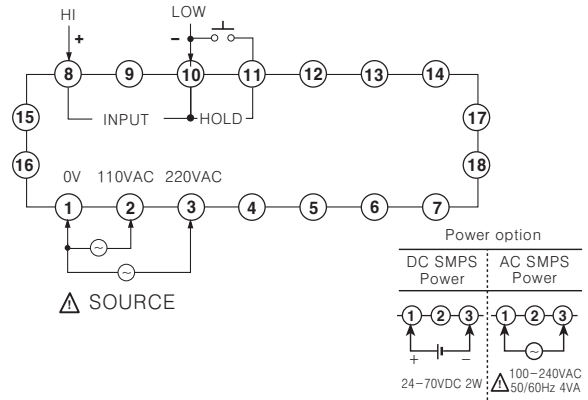
●M4W1P



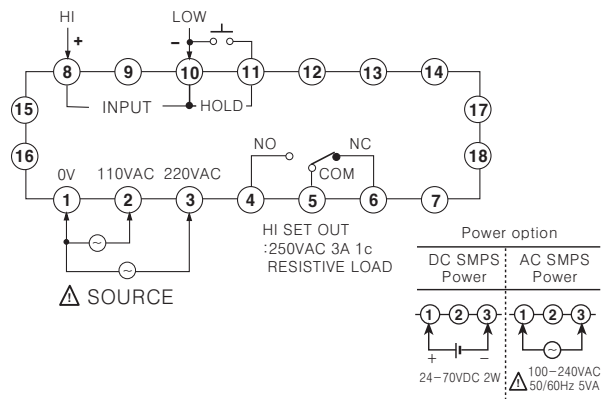
●M4W2P



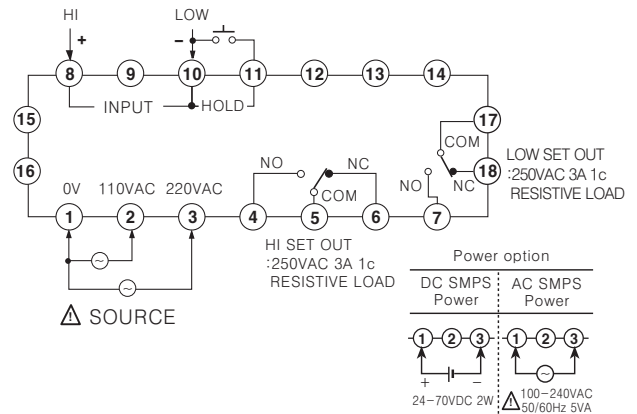
●M4M



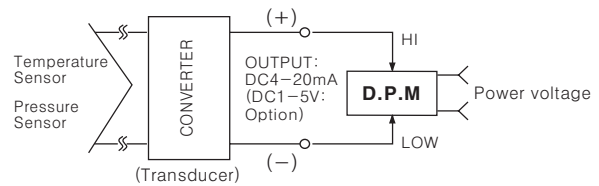
●M4M1P



●M4M2P



The application of connection



- The measurement input specification of model ordering is an output specification of converter and 4-20mA DC is the standard specification.
- DC voltmeter can be produced by your order in case of out of 1-5V output specification.

(A) Counter

(B) Timer

(C) Temp. controller

(D) Power controller

(E) Panel meter

(F) Tacho/Speed/Pulse meter

(G) Display unit

(H) Sensor controller

(I) Proximity sensor

(J) Photo electric sensor

(K) Pressure sensor

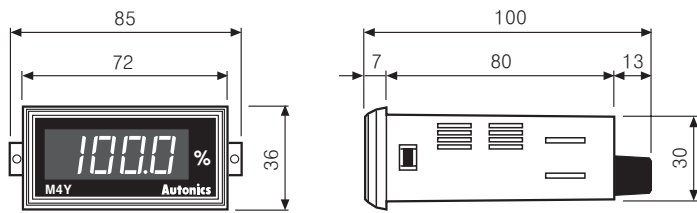
(L) Rotary encoder

(M) 5-Phase stepping motor & Driver & Controller

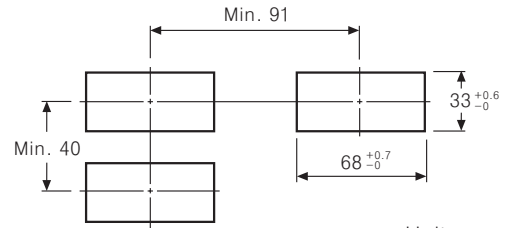
M4Y/M4W/M5W/M4M Series

■ Dimensions

● M4Y

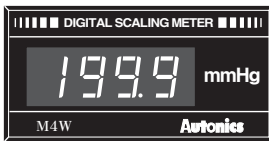


● Panel cut-out

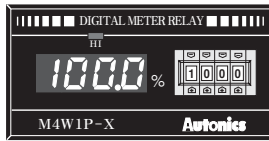


Unit:mm

● M4W



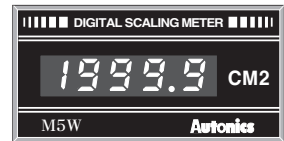
● M4W1P



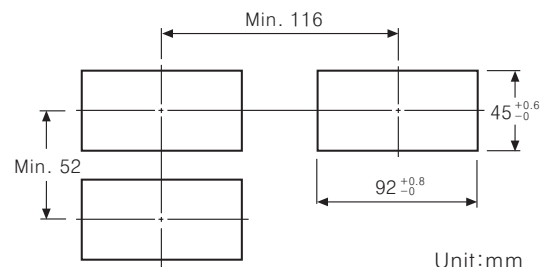
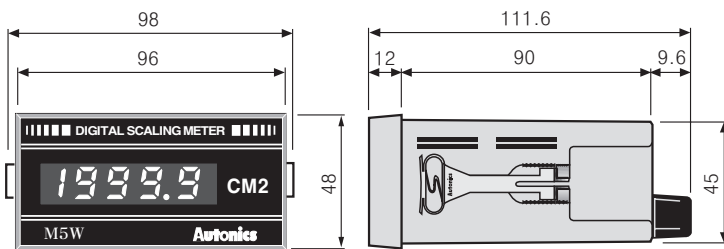
● M4W2P



● M5W

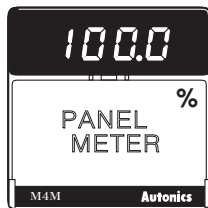


● Panel cut-out

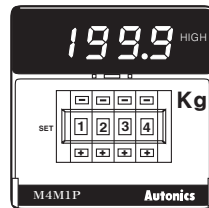


Unit:mm

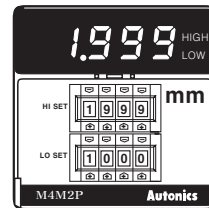
● M4M



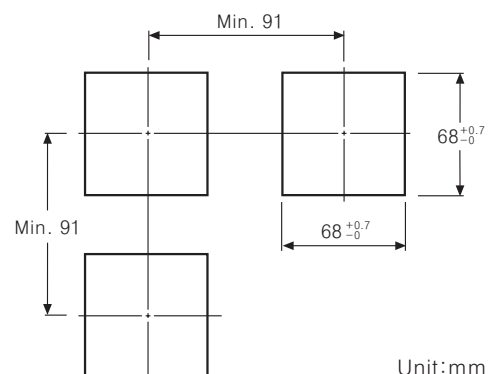
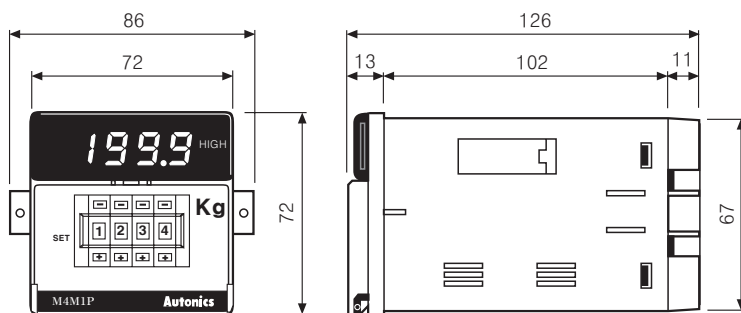
● M4M1P



● M4M2P



● Panel cut-out



Unit:mm