



AS/AP Series Standard ϕ 86mm Signal Light

Features (특징)

- ϕ 86 mm lens diameter
- Rotating, flashing and strobe models
- Stud mounting
- 4 lens colors available
- Various operating voltages
- Incandescent or Xenon bulb

- ϕ 86mm 투광, 프리즘 2타입의 렌즈 적용
- 반사회전 타입, 전구점멸 타입, 크세논 점멸타입, 부저타입
- 편리한 취부구조
- 4가지 색상의 투광렌즈
- 다양한 전압시양
- 장시간 수명의 전구



Ordering information (표준주문사양)

AS G B 110 R
① ② ③ ④ ⑤

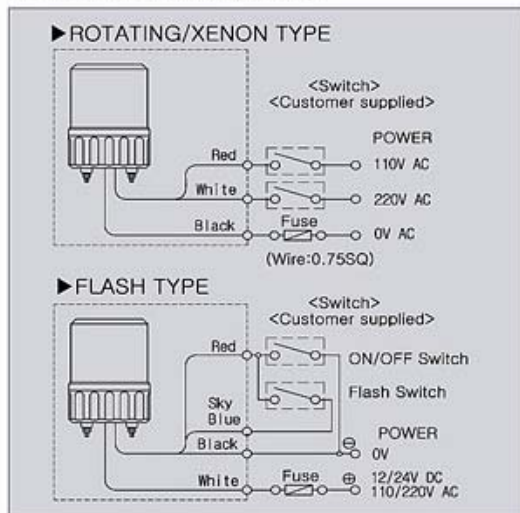
①	AS	ϕ 86mm Signal Light(Dome top lens)
	AP	ϕ 86mm Signal Light(Flat top lens)
②	G	Stud mount
		Rotating mirror
③	B	Rotating mirror +buzzer
	F	Flashing light
	S	Strobe light
④	01	12 VDC
	02	24 VDC
	10	110 VAC
	20	220 VAC
	FF	110 / 220 VAC
⑤	R	Red lens
	G	Green lens
	Y	Yellow lens
	B	Blue lens

Specifications (전기적사항)

(P): Flat top lens

Series	AS(P)G / AS(P)GB	AS(P)GF	AS(P)GS
Power supply	12V DC, 24V DC, 110/220V AC		110V AC, 220V AC
Lens type	Smooth type	Prism type	
Lens color	Red, Green, Yellow, Blue		
Rotation rate	130 / min		
Flash rate		80 / min	
Internal buzzer	Available	Not available	
Sound level	80 dB		
Current consumption	12VDC : 0.7A 110VAC : 0.07A	24VDC : 0.3A 220VAC : 0.03A	110VAC : 0.22A 220VAC : 0.11A
Bulb type	Incandescent (전구형)		Xenon (크세논형)
Bulb voltage and wattage	12VDC:12V8W, 24VDC:24V8W, 110VAC:110V8W, 220VAC:220V8W, 110/220VAC:12V5W		6W
Termination	Wire leads		

Connections (결선도)



Dimensions (외형치수도)

(UNIT: mm)

